



# Multiband 2G 3G 4G/LTE Antenna



Part Number: L-1RB3

115 mm\*11mm  
RoHS/RoHS II Compliant

## Features

- Operates in 698-960/1710-2170 MHz and 2500-2700MHz
- Dual band antenna
- Vertical polarization
- High gain of 5.8 dBi
- VSWR 1.6
- Omni-directional pattern

## Applications

- 4G/LTE radios
- Gateways
- Set-Top Boxes
- Security
- Transportation
- Smart agriculture

## Electrical Characteristics

Parameters	Min.	Typ.	Max.	Units	Notes
Frequency Range	698		960	MHz	
	1710		2170	MHz	
	2500		2700	MHz	
VSWR	1.6		2.5		
Polarization Model	Vertical				
Impedance		50		$\Omega$	
Gain	3		5.8	dBi	
Azimuth	Omni-directional				
Power Handling Capacity		50		W	
Lighting Protection	Direct Current earth				

## Mechanical Characteristics

Parameters	Description	Note
Connector	SMA-RP	
Cable Type	RG-178	Inside the enclosure, 50 $\Omega$
Radiator	Cuprum	
Enclosure	TPE	
Base	PBT + PC	
Radom Color	Black	

## Environmental Characteristics

Parameters	Description	Note
RoHS Compliant	Yes	
MSL	N/A	
Operating temperature	-40 °C to +85 °C	



MiotWireless

Miot Wireless Solutions Ltd  
<http://www.mioticsolutions.com>  
[Info@mioticsolutions.com](mailto:Info@mioticsolutions.com)

## Multiband 2G 3G 4G/LTE Antenna



Part Number: L-1RB3

115 mm\*11mm  
RoHS/RoHS II Compliant

### Product Image





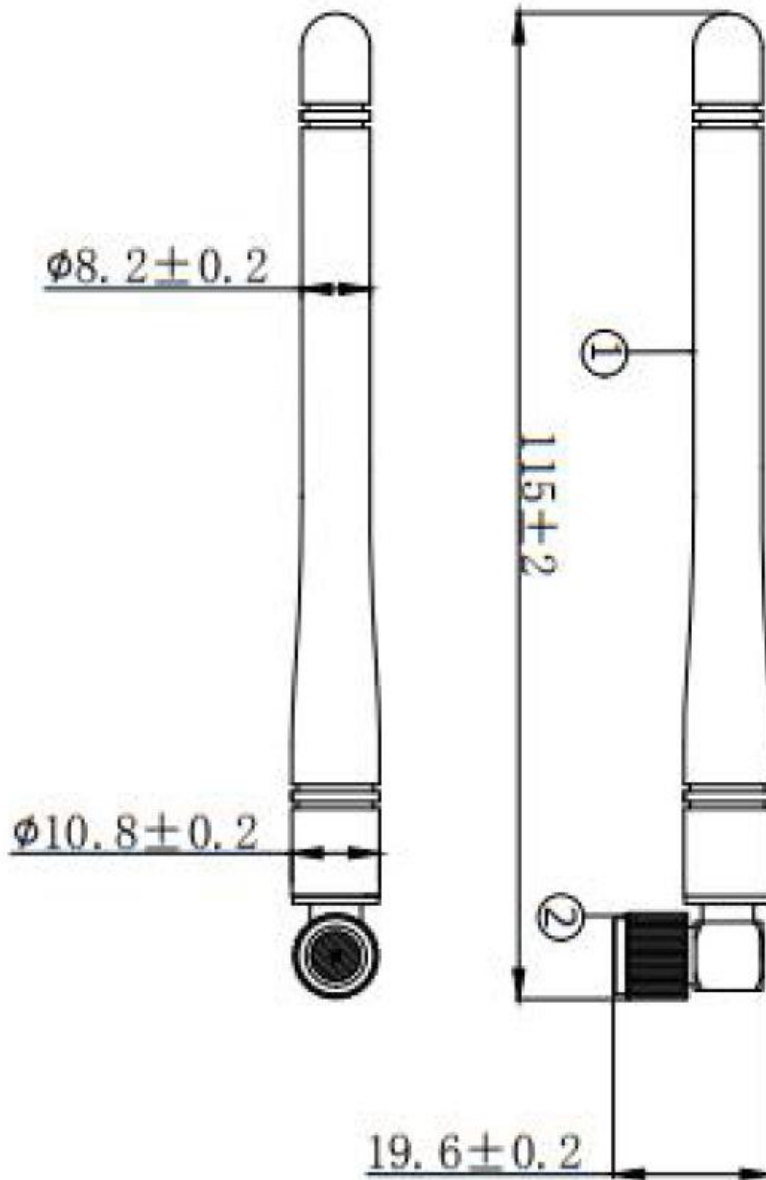
# Multiband 2G 3G 4G/LTE Antenna



Part Number: L-1RB3

115 mm\*11mm  
RoHS/RoHS II Compliant

## Dimensions





# Multiband 2G 3G 4G/LTE Antenna



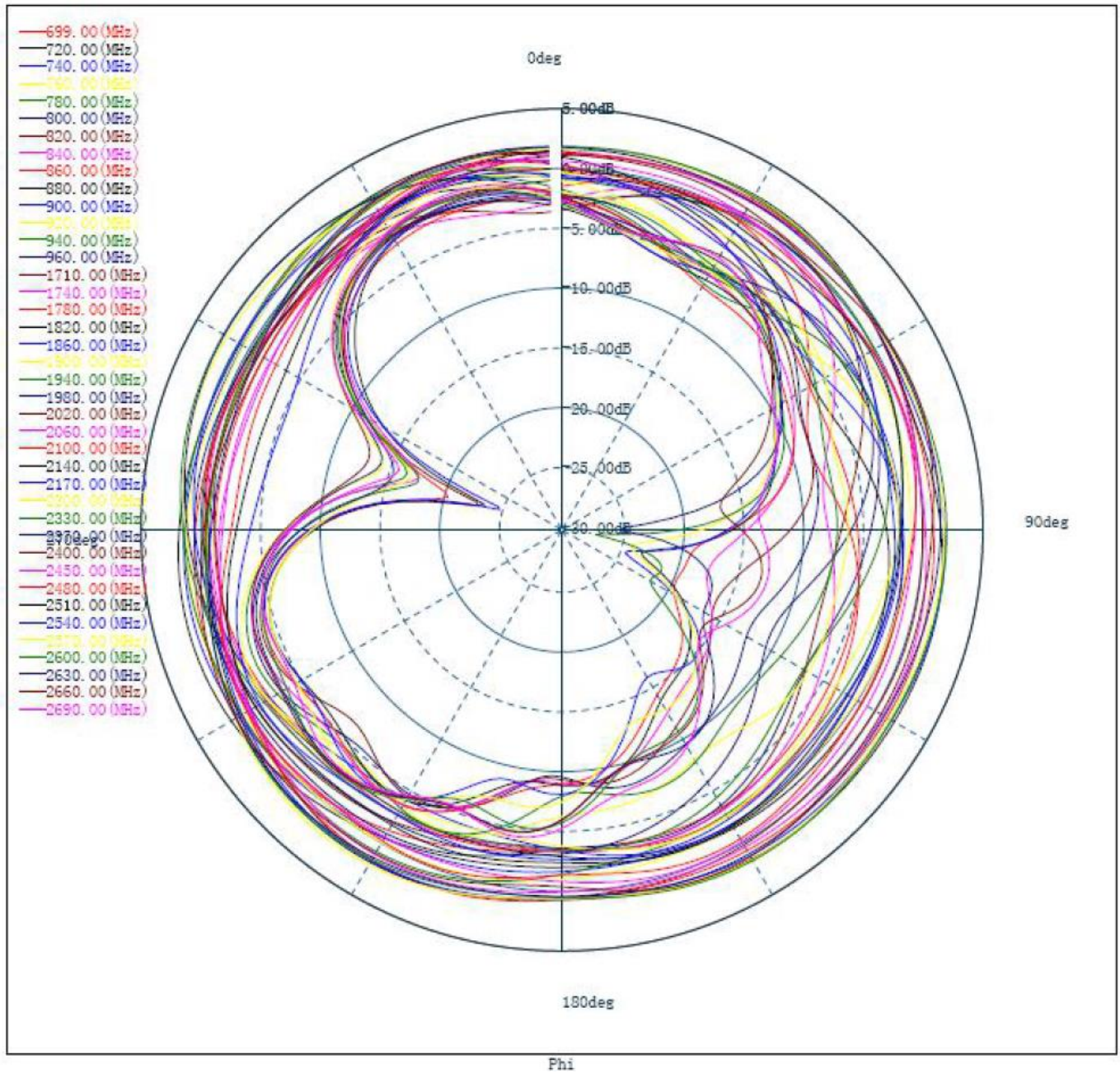
Part Number: L-1RB3

115 mm\*11mm  
RoHS/RoHS II Compliant

## Radiation Patterns

2D – Pattern

H





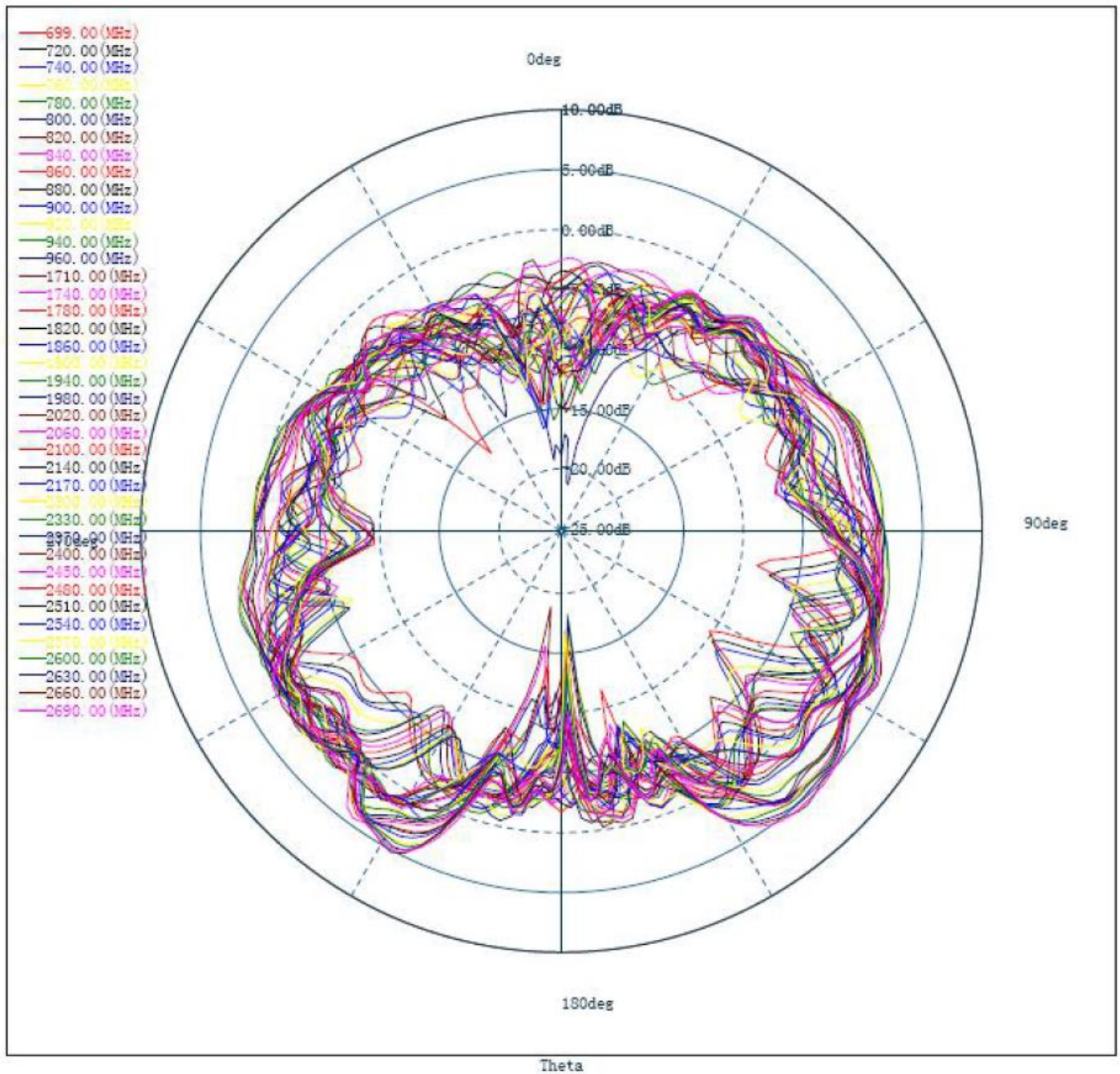
# Multiband 2G 3G 4G/LTE Antenna



Part Number: L-1RB3

115 mm\*11mm  
RoHS/RoHS II Compliant

E1





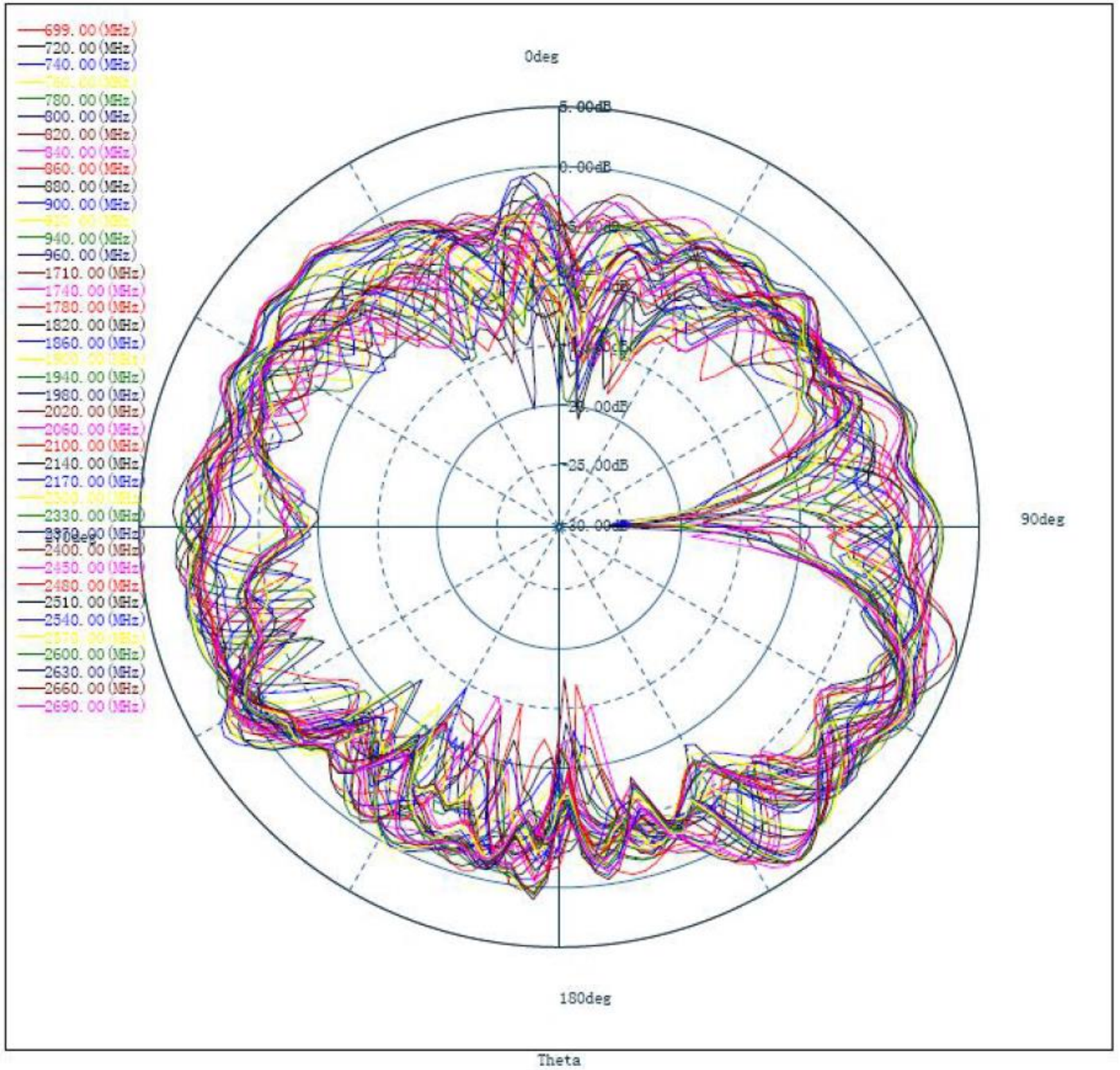
# Multiband 2G 3G 4G/LTE Antenna



Part Number: L-1RB3

115 mm\*11mm  
RoHS/RoHS II Compliant

E2





# Multiband 2G 3G 4G/LTE Antenna



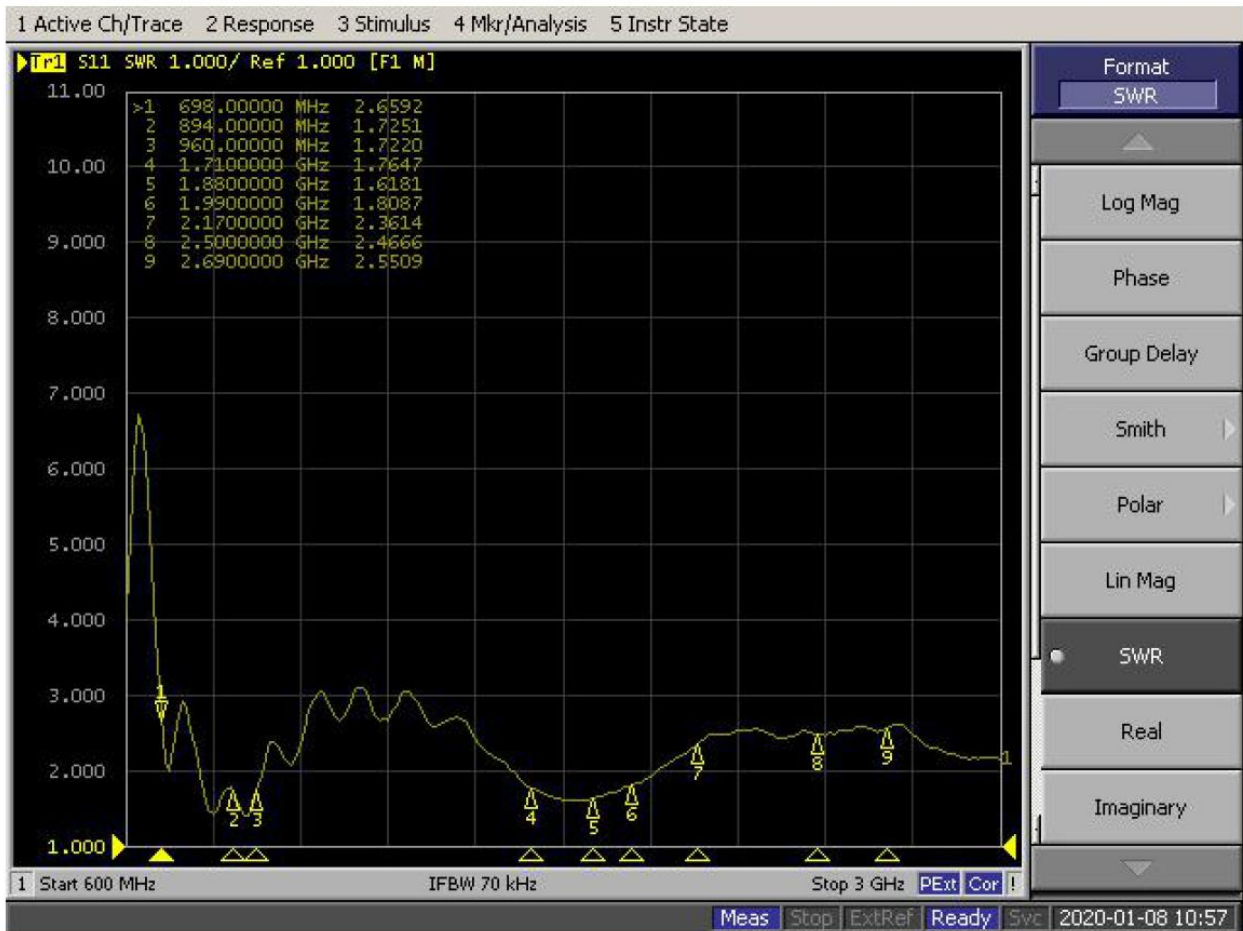
Part Number: L-1RB3

115 mm\*11mm  
RoHS/RoHS II Compliant

## Antenna Parameters

Frequency (MHz)	Efficiency	Gain (dBi)
700	0.41	3.2
824	0.51	3.5
868	0.53	3.2
960	0.50	3.5
1710	0.56	3.2
1850	0.65	3.4
1990	0.71	3.9
2170	0.50	3.6
2690	0.60	5.7

## VSWR





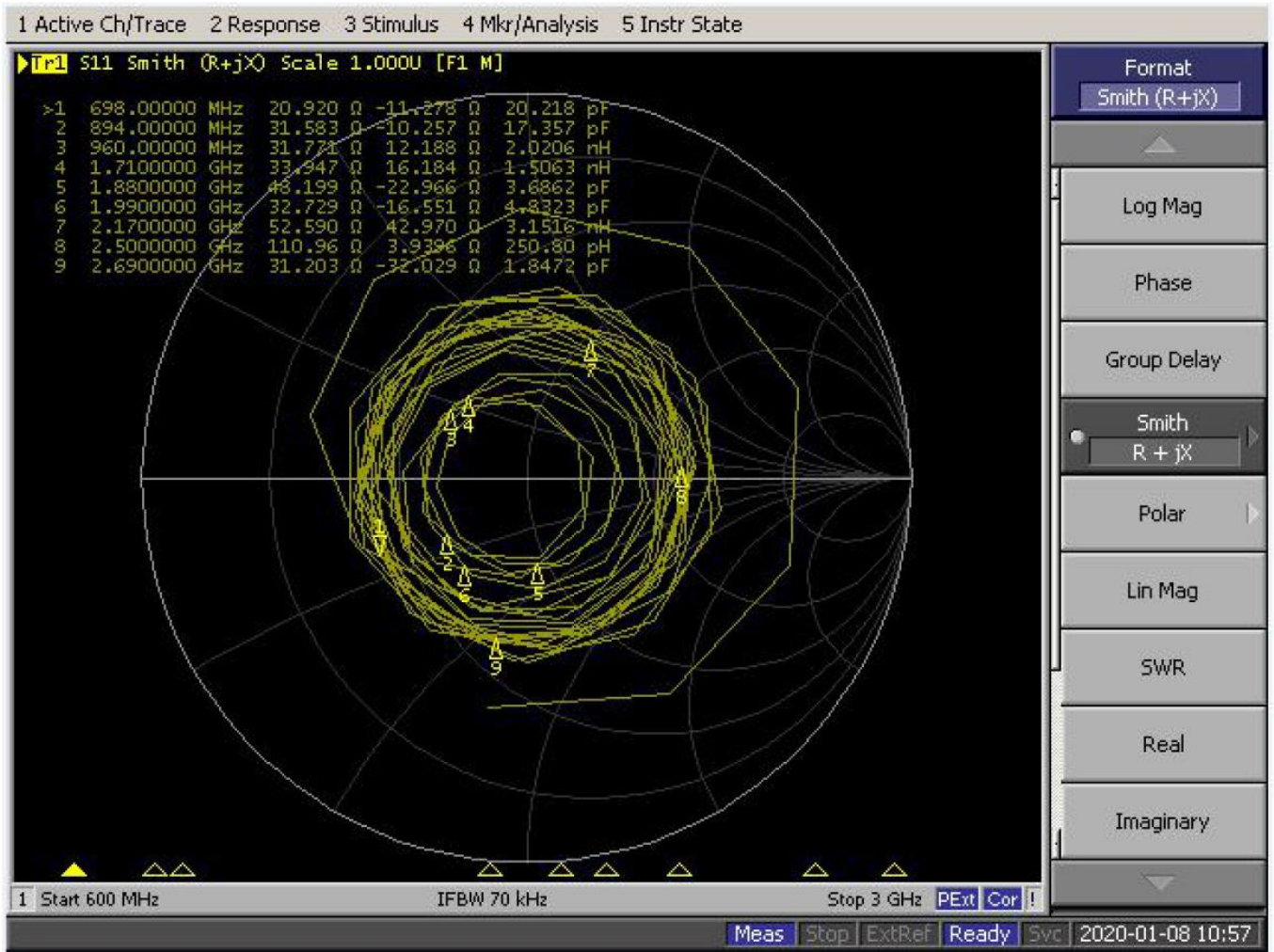
# Multiband 2G 3G 4G/LTE Antenna



Part Number: L-1RB3

115 mm\*11mm  
RoHS/RoHS II Compliant

## Return Loss







MiotWireless

Miot Wireless Solutions Ltd

<http://www.miotsolutions.com>

[Info@miotsolutions.com](mailto:Info@miotsolutions.com)

## Multiband 2G 3G 4G/LTE Antenna



Part Number: L-1RB3

115 mm\*11mm  
RoHS/RoHS II Compliant

### Packaging

---

**TBD**

### Caution:

- (1) Do not apply excess mechanical stress to the component body or terminations. Do not attempt to re-form or bend the components as this will cause damage to the component.
- (2) Do not expose the component to open flame.
- (3) This specification applies to the functionality of the component as a single unit. Please ensure the component is thoroughly evaluated in the application circuit.