



Multiband 2G 3G 4G/LTE Antenna



Part Number: L-1RA8

184 mm
RoHS/RoHS II Compliant

Features

- Operates in 698-960/1710-2170 MHz and 2500-2700MHz
- VSWR 1.5
- Vertical polarization
- High gain of 5 dBi

Applications

- 4G/LTE radios
- Gateways
- Set-Top Boxes
- Security
- Transportation
- Smart agriculture

Electrical Characteristics

Parameters	Min.	Typ.	Max.	Units	Notes
Frequency Range	698		960	MHz	
	1710		2170	MHz	
	2500		2700	MHz	
VSWR	1.5		3.1		
Polarization Model	Vertical				
Impedance		50		Ω	
Gain		5		dBi	
Azimuth	Omni-directional				
Power Handling Capacity	50			W	
Lighting Protection	Direct Current earth				

Mechanical Characteristics

Parameters	Description	Note
Connector	SMA-RP	
Cable Type	RG-178	Inside the enclosure, 50 Ω
Radiator	Cuprum	
Enclosure	TPE	
Base	PBT + PC	
Radom Color	Black	

Environmental Characteristics

Parameters	Description	Note
RoHS Compliant	Yes	
MSL	N/A	
Operating temperature	-40 °C to +85 °C	



MiotWireless

Miot Wireless Solutions Ltd
<http://www.mioticsolutions.com>
Info@mioticsolutions.com

Multiband 2G 3G 4G/LTE Antenna



Part Number: L-1RA8

184 mm
RoHS/RoHS II Compliant

Product Image



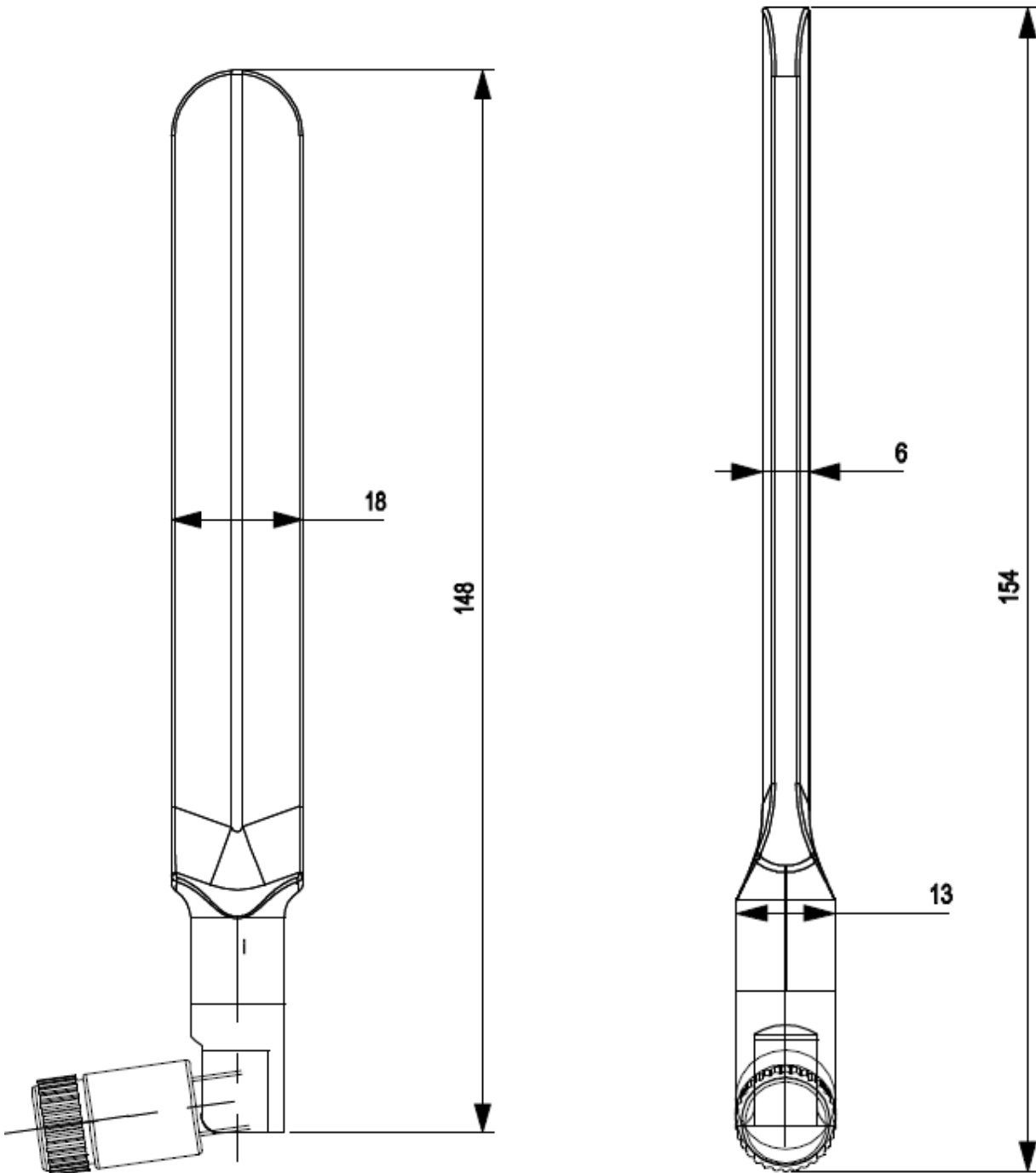


Multiband 2G 3G 4G/LTE Antenna



Part Number: L-1RA8

184 mm
RoHS/RoHS II Compliant





MiotWireless

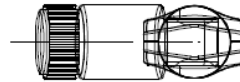
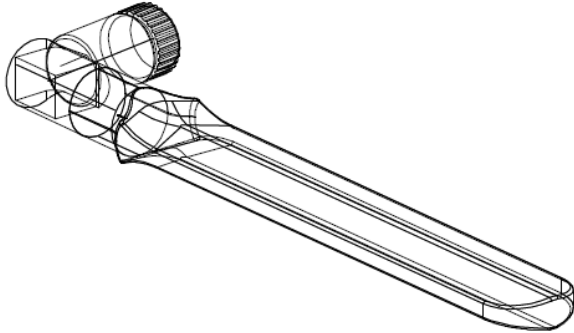
Miot Wireless Solutions Ltd
<http://www.mioticsolutions.com>
Info@mioticsolutions.com

Multiband 2G 3G 4G/LTE Antenna



Part Number: L-1RA8

184 mm
RoHS/RoHS II Compliant



Radiation Patterns

3D – Pattern



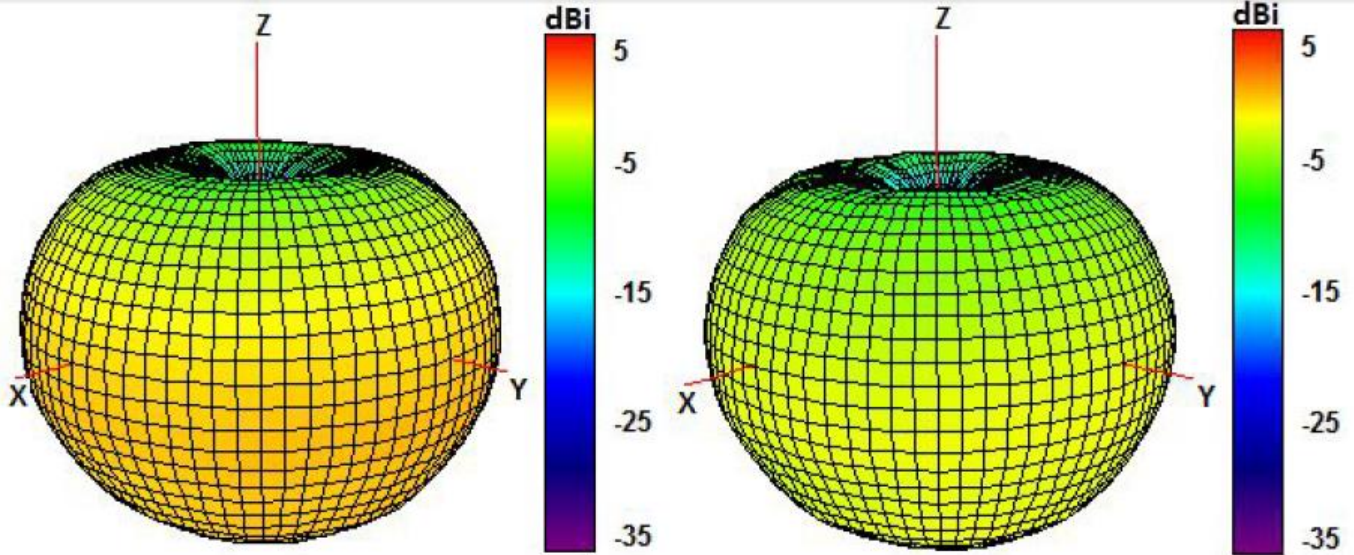


Multiband 2G 3G 4G/LTE Antenna

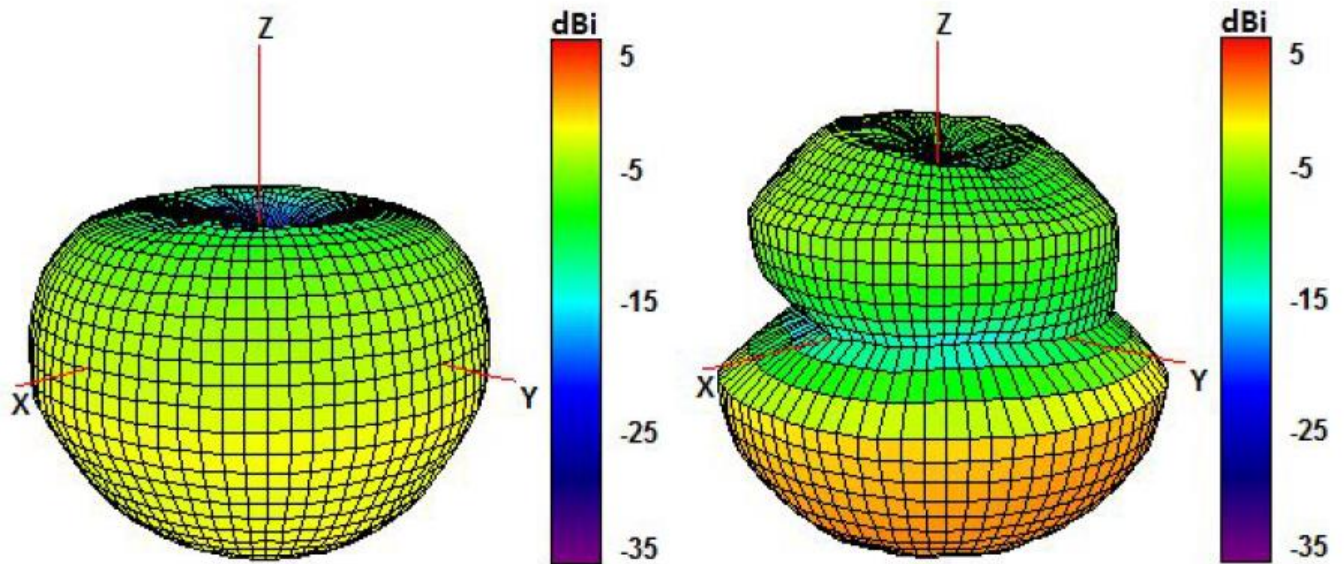


Part Number: L-1RA8

184 mm
RoHS/RoHS II Compliant



750 and 850 MHz Radiation pattern



940 and 1750 MHz Radiation pattern

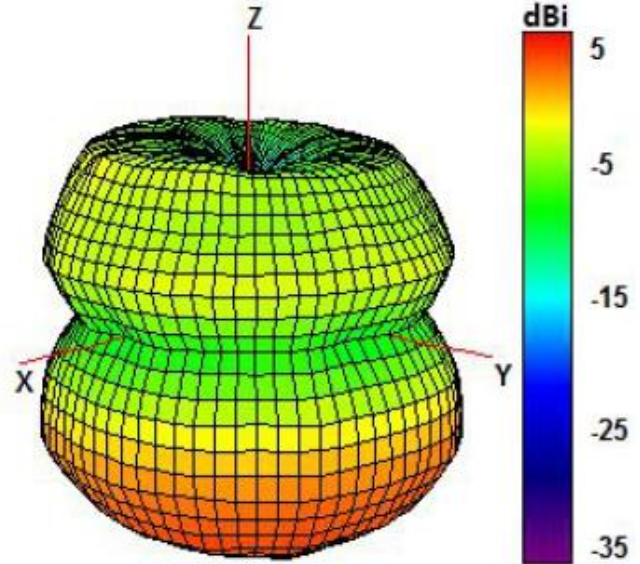
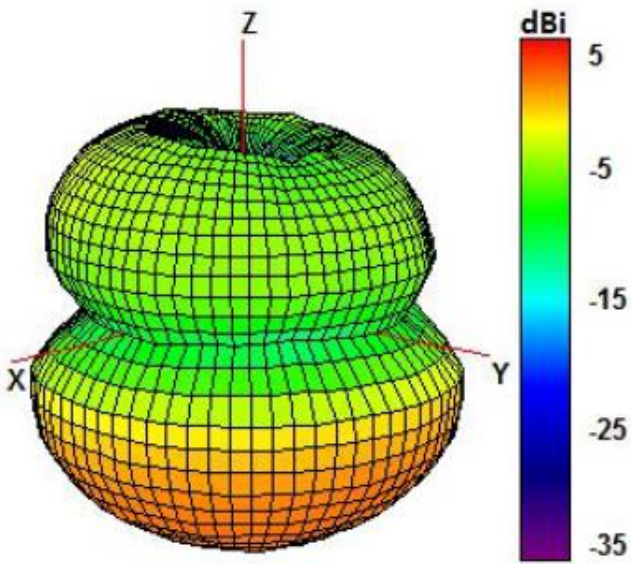


Multiband 2G 3G 4G/LTE Antenna

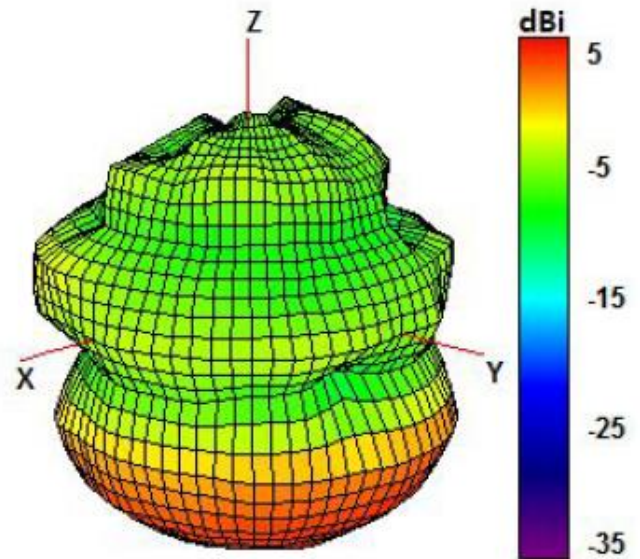
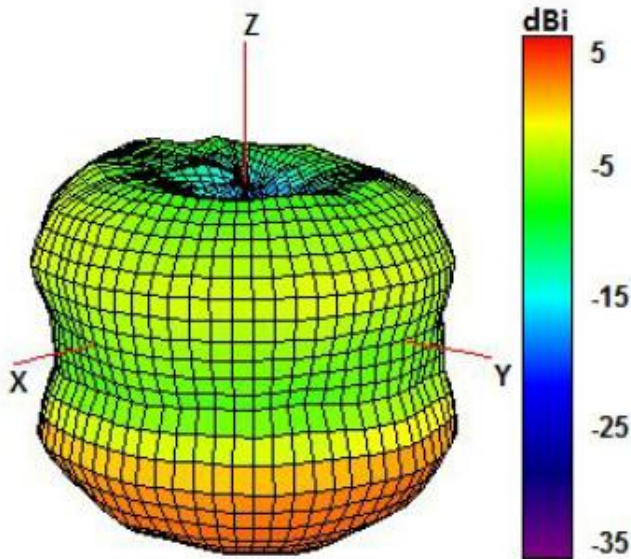


Part Number: L-1RA8

184 mm
RoHS/RoHS II Compliant



1850 and 1950 MHz Radiation pattern



2100 and 2600 MHz Radiation pattern



Multiband 2G 3G 4G/LTE Antenna

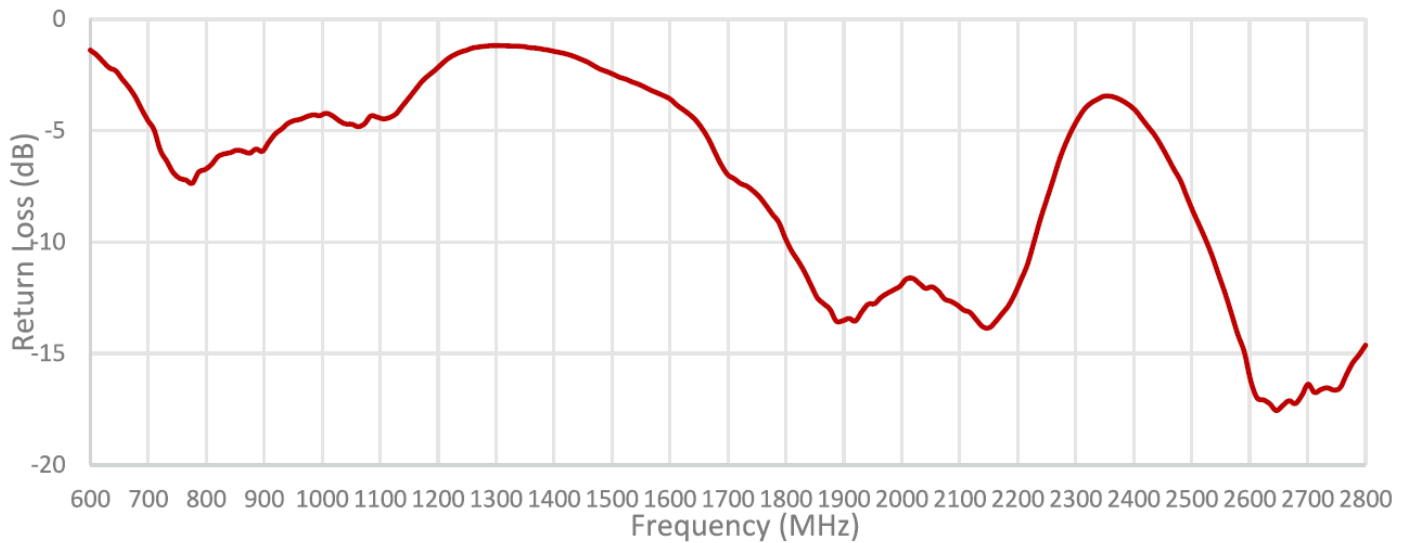


Part Number: L-1RA8

184 mm
RoHS/RoHS II Compliant

Frequency (MHz)	Efficiency	Gain (dBi)
700	0.65	0.9
824	0.53	0.1
868	0.51	0.2
960	0.50	-0.6
1710	0.60	1.6
1850	0.67	2.5
1990	0.66	3.5
2170	0.64	4.0
2690	0.80	5.0

Antenna parameters



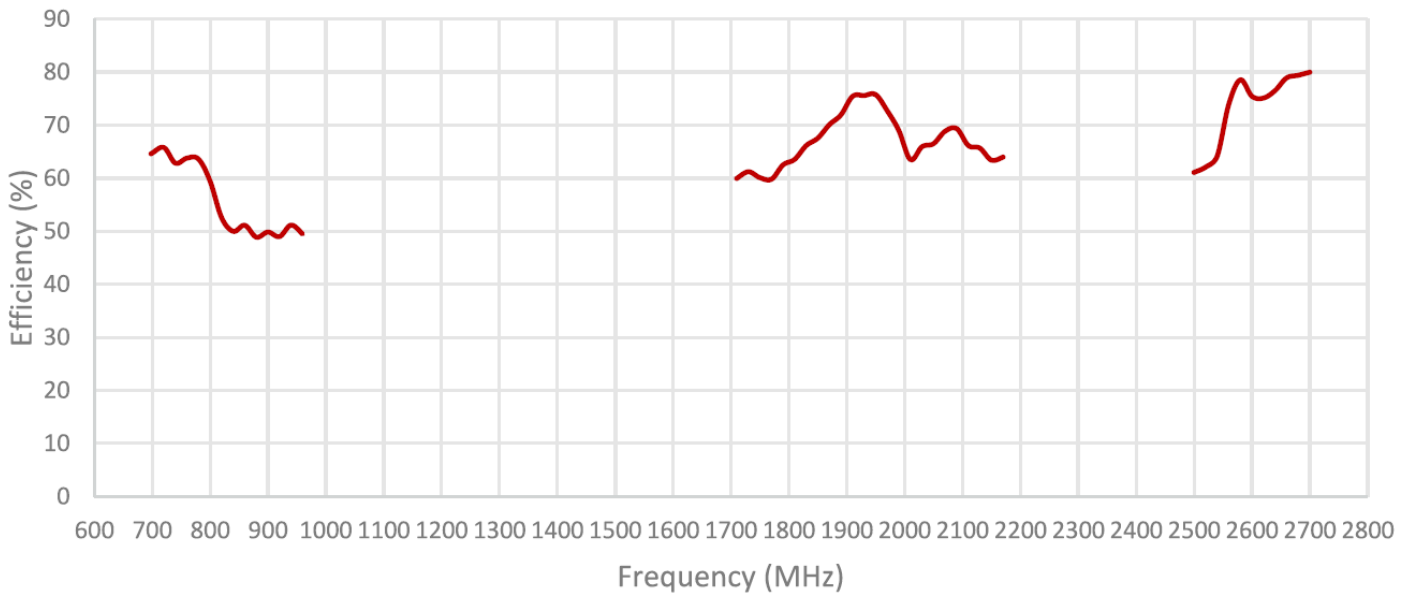


Multiband 2G 3G 4G/LTE Antenna



Part Number: L-1RA8

184 mm
RoHS/RoHS II Compliant



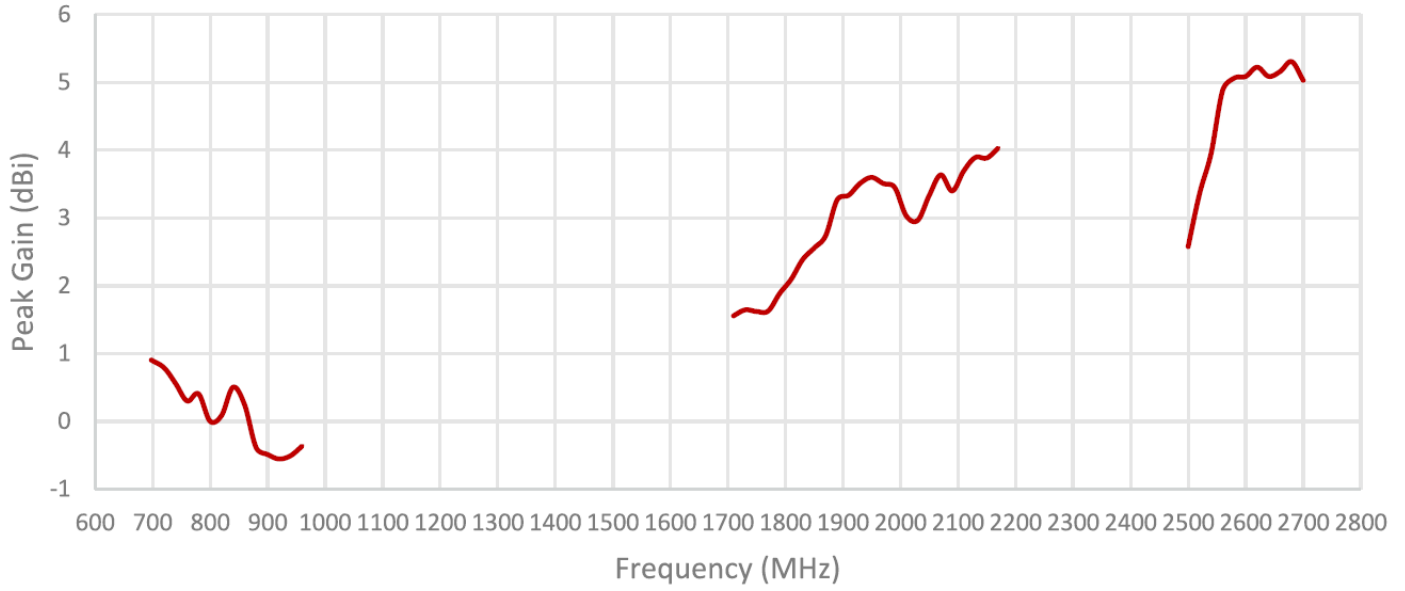


Multiband 2G 3G 4G/LTE Antenna



Part Number: L-1RA8

184 mm
RoHS/RoHS II Compliant





MiotWireless

Miot Wireless Solutions Ltd

<http://www.miotsolutions.com>

Info@miotsolutions.com

Multiband 2G 3G 4G/LTE Antenna



Part Number: L-1RA8

184 mm
RoHS/RoHS II Compliant

Packaging

TBD

Caution:

- (1) Do not apply excess mechanical stress to the component body or terminations. Do not attempt to re-form or bend the components as this will cause damage to the component.
- (2) Do not expose the component to open flame.
- (3) This specification applies to the functionality of the component as a single unit. Please ensure the component is thoroughly evaluated in the application circuit.