



## GNSS Ceramic SMD Mount Antenna



Part Number: G-2RE5

25\*25 \*4 mm  
 RoHS/RoHS II Compliant

### Features

- High Gain
- Compact Size and Low Profile
- Pin Type
- Customization Available
- IP67 rated
- RoHS Compliance

### Applications

- Automotive navigation
- PND & PDA
- Surveying equipment
- Cell phone
- Laptop
- Healthcare and medical monitoring devices

### Electrical Specifications

Parameters	Min.	Typ.	Max.	Units	Notes
GPS/QZSS/Galileo Frequency	1616-1627			MHz	
IRIDIUM Frequency	1575.42			MHz	
-10dB Bandwidth	6			MHz	
Gain (Zenith@90°)		5.7		dB	(Peak gain on standardized Ground Plane.)
VSWR at CF	1.0		1.3		
Impedance	50			$\Omega$	
Polarization Model	RHCP				(Right Hand Circular Polarization)
Frequency Temperature Coefficient			20	ppm/°C	

(\*) Application environment, including size of ground plane will affect stated performance. Fine tuning might be required when installed on customer's PCB.



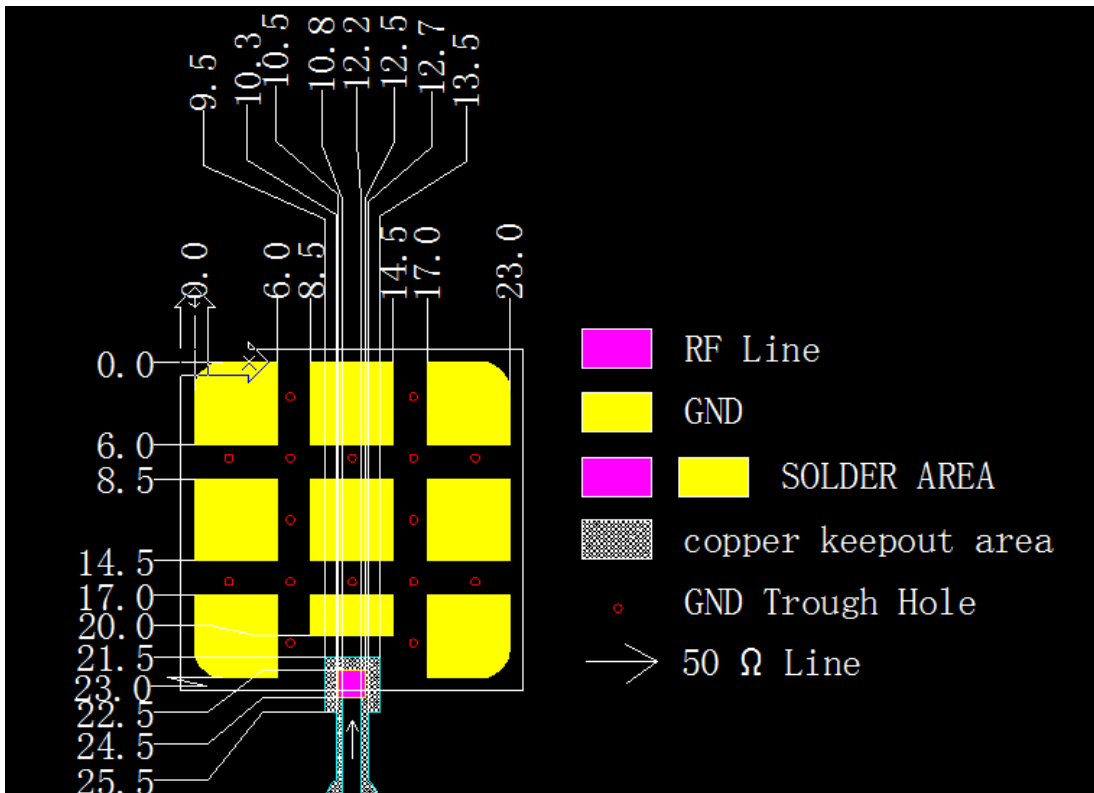
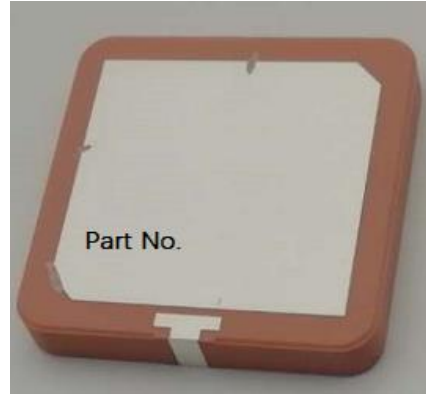
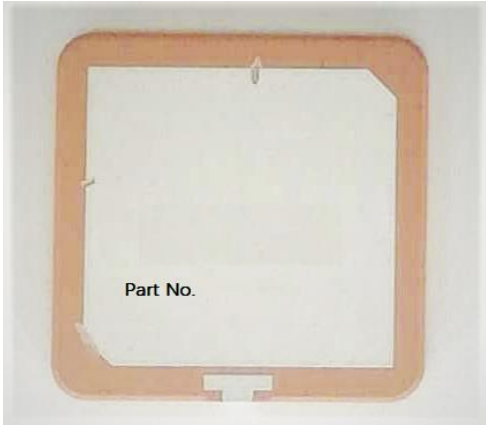
# GNSS Ceramic SMD Mount Antenna



Part Number: G-2RE5

25\*25 \*4 mm  
RoHS/RoHS II Compliant

## Product Dimensions & Pictures



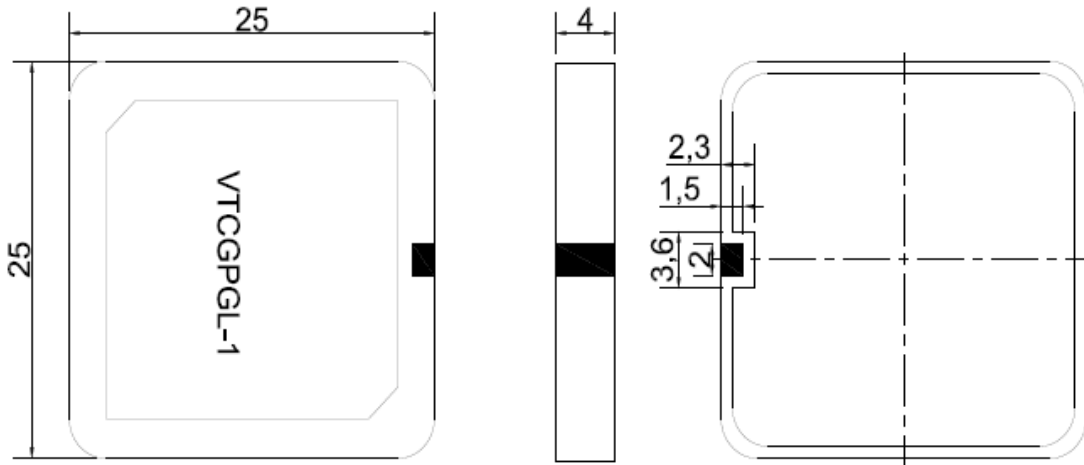


# GNSS Ceramic SMD Mount Antenna



Part Number: G-2RE5

25\*25 \*4 mm  
RoHS/RoHS II Compliant



The last "X" is the serial number of month

Tolerance:  $\pm 0.3$   
Unit: mm



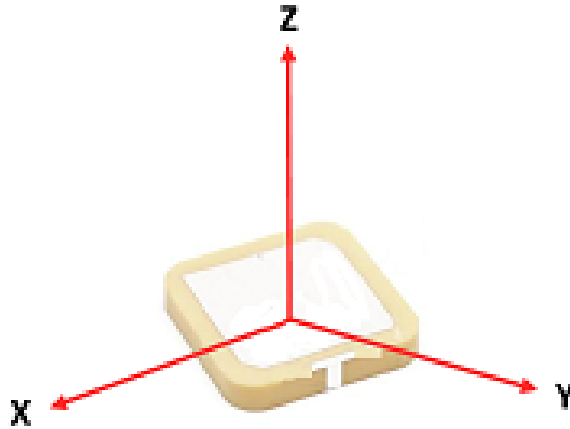
# GNSS Ceramic SMD Mount Antenna



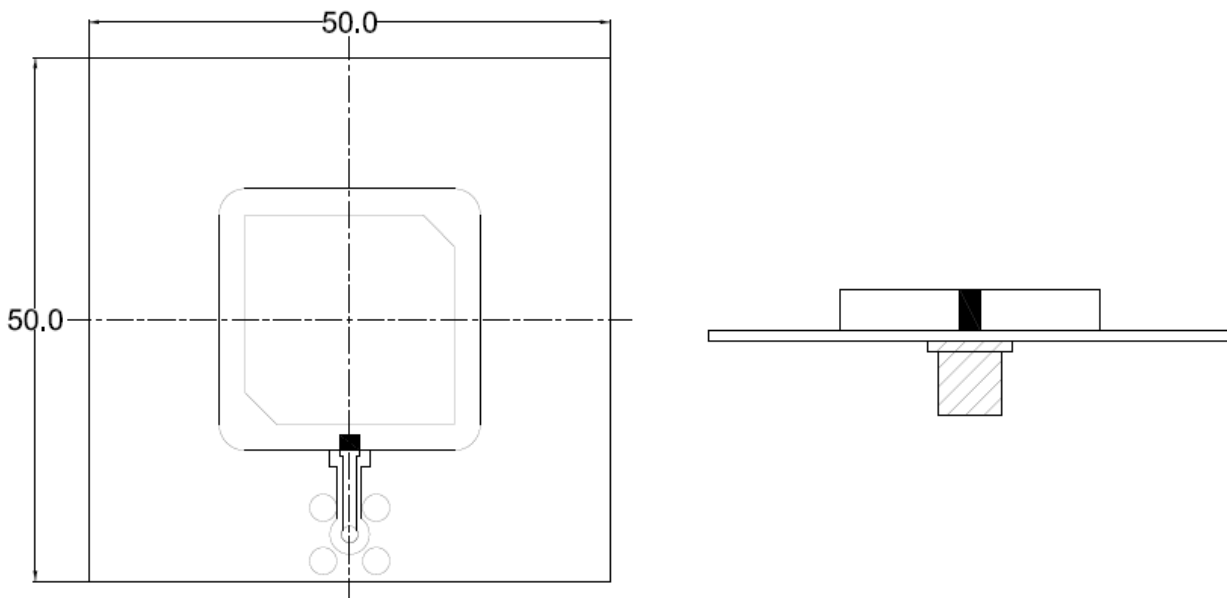
Part Number: G-2RE5

25\*25 \*4 mm  
RoHS/RoHS II Compliant

## Radiation pattern reference



## Test Fixture



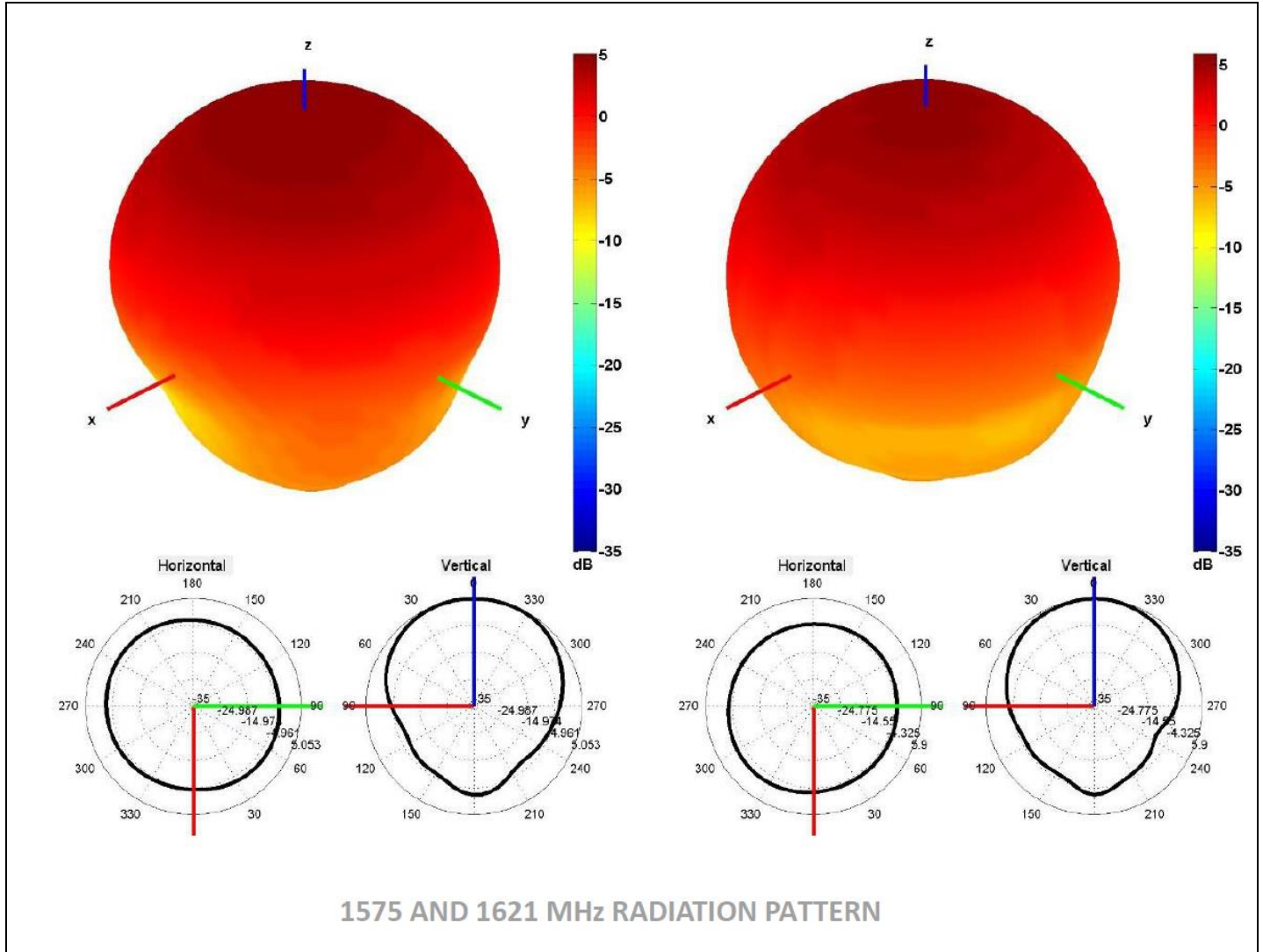


# GNSS Ceramic SMD Mount Antenna



Part Number: G-2RE5

25\*25 \*4 mm  
RoHS/RoHS II Compliant



## Antenna parameters

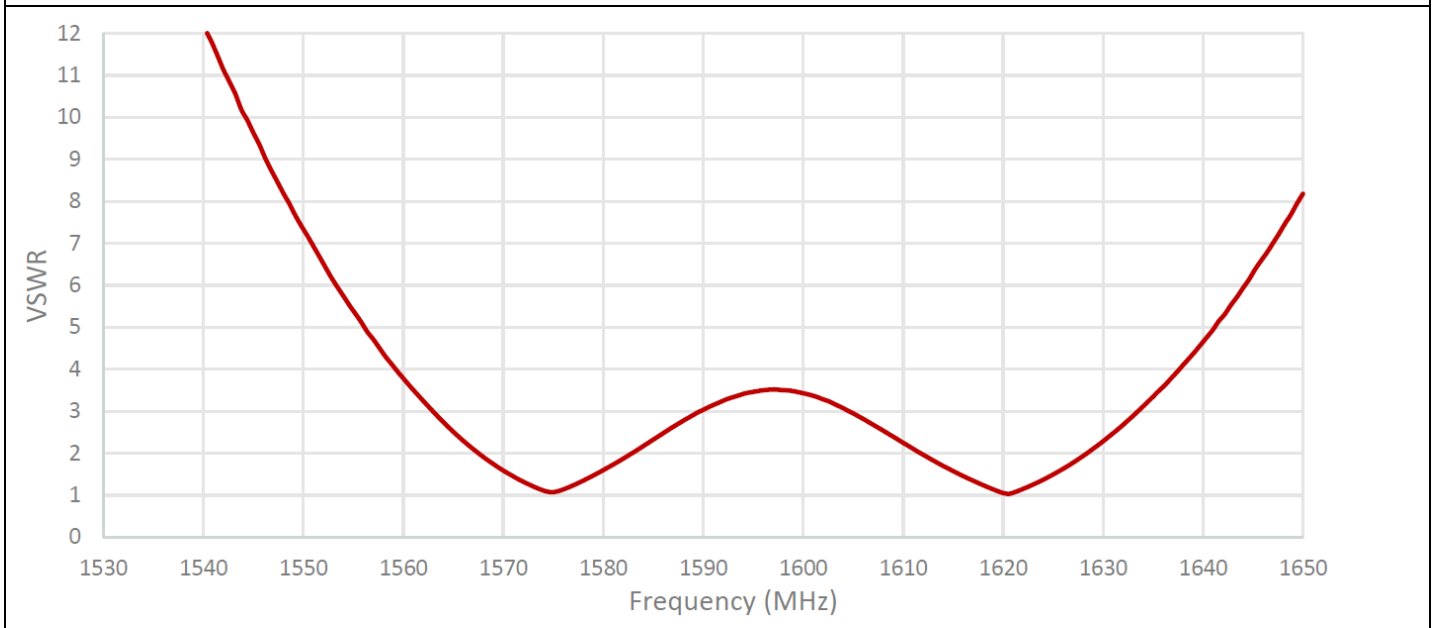
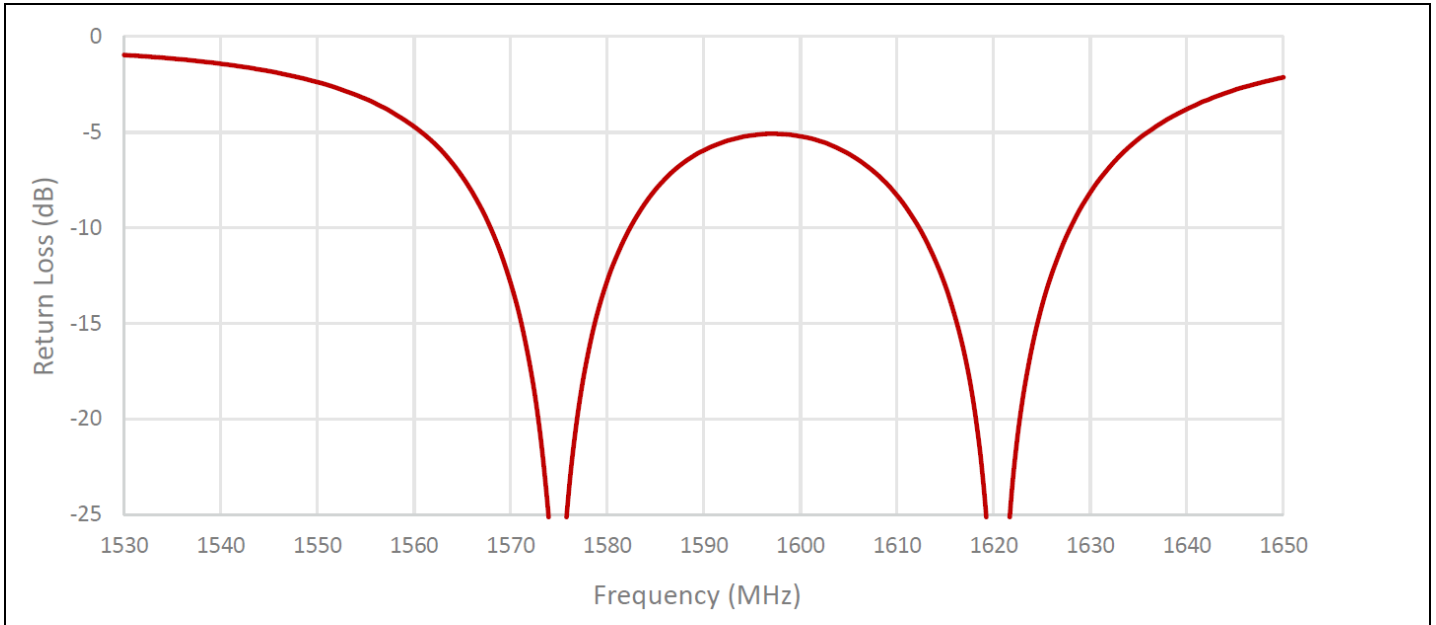


# GNSS Ceramic SMD Mount Antenna



Part Number: G-2RE5

25\*25 \*4 mm  
RoHS/RoHS II Compliant



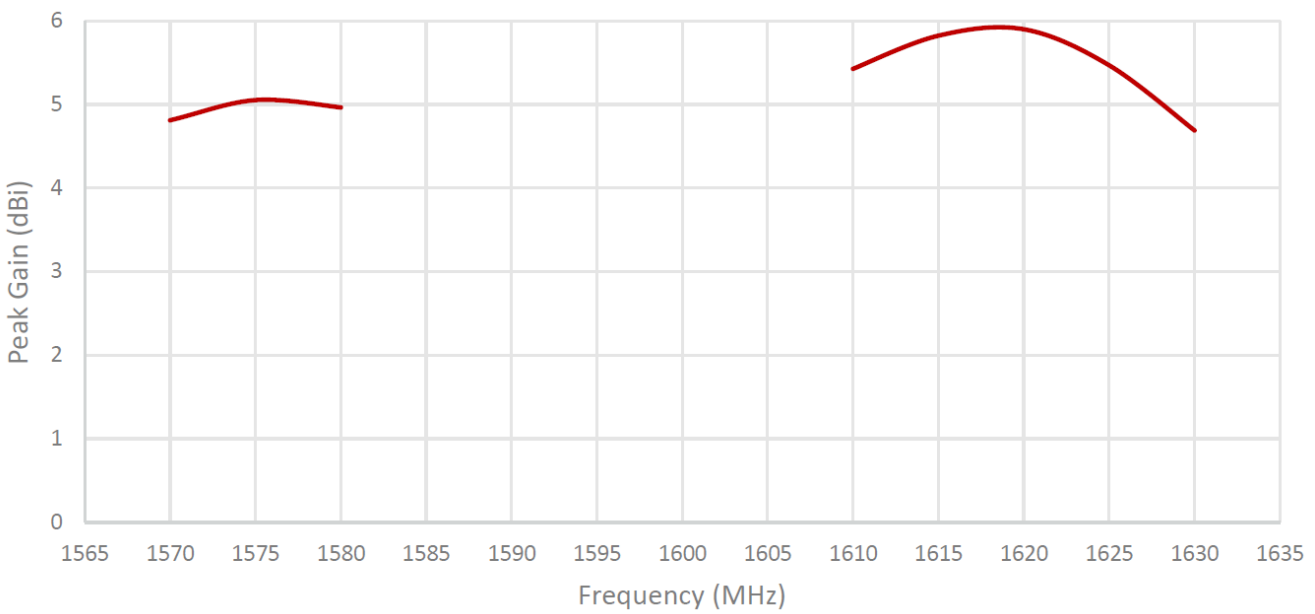
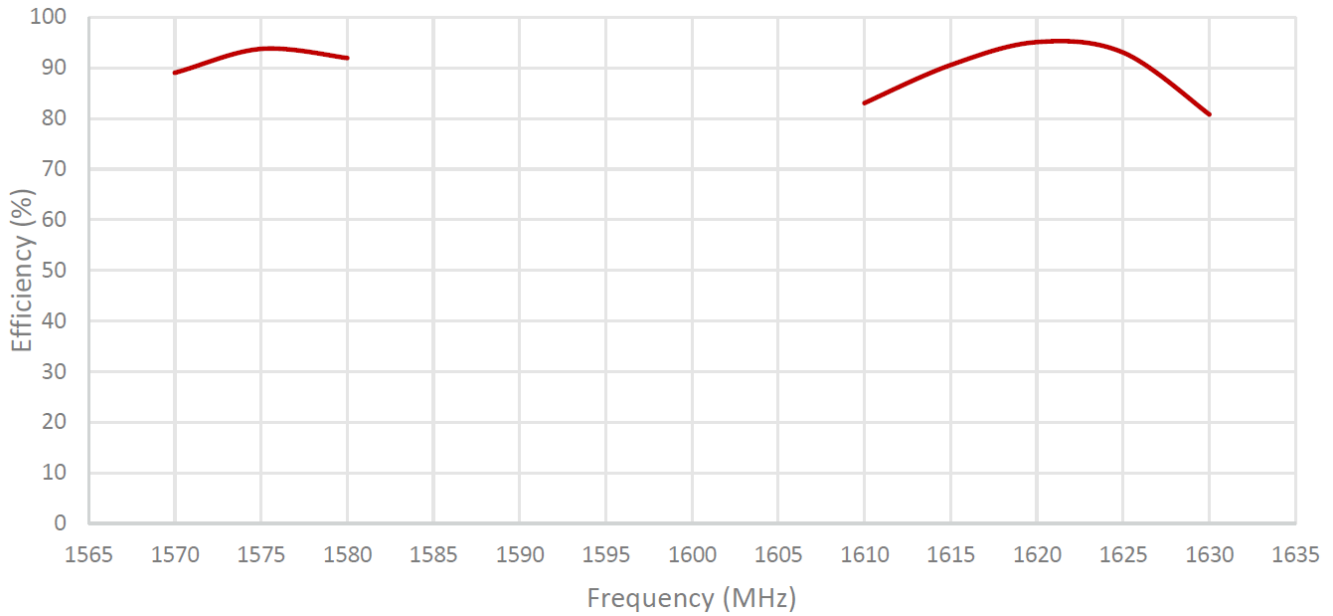


# GNSS Ceramic SMD Mount Antenna



Part Number: G-2RE5

25\*25 \*4 mm  
RoHS/RoHS II Compliant



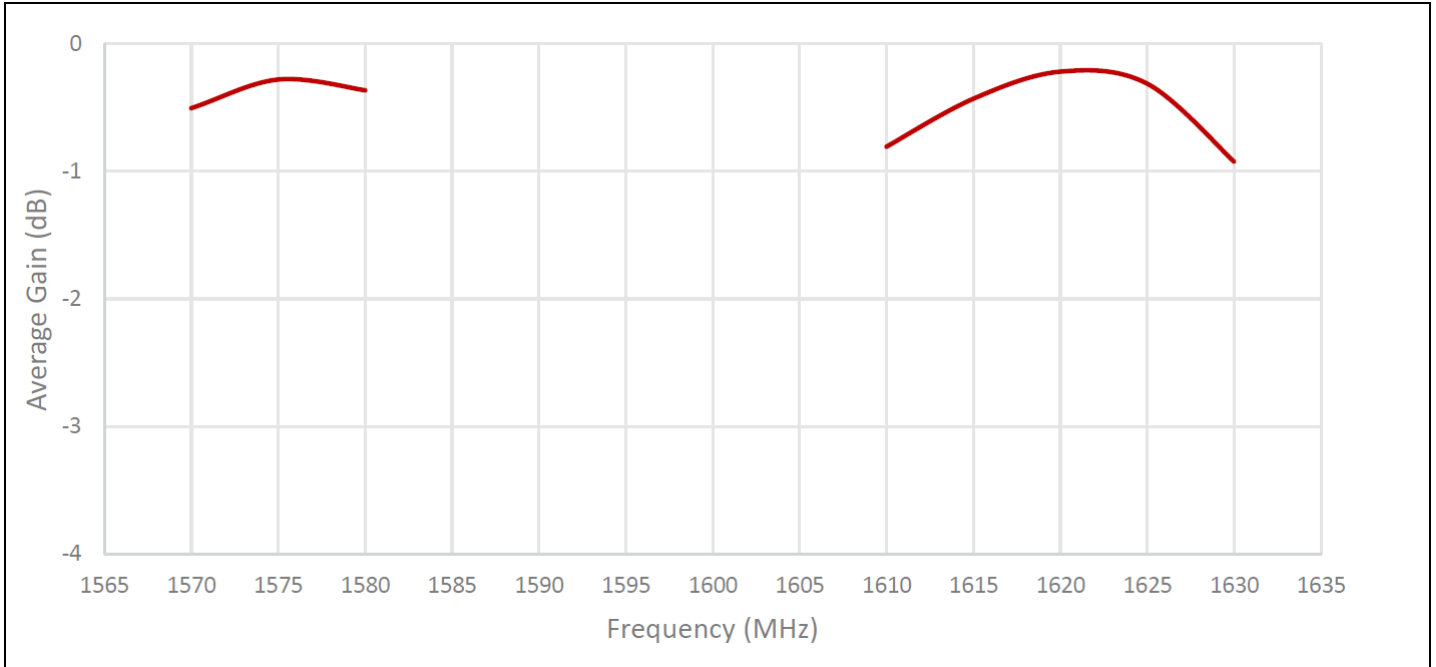


# GNSS Ceramic SMD Mount Antenna



Part Number: G-2RE5

25\*25 \*4 mm  
RoHS/RoHS II Compliant







MiotWireless

Miot Wireless Solutions Ltd  
<http://www.miotsolutions.com>  
[Info@miotsolutions.com](mailto:Info@miotsolutions.com)

## GNSS Ceramic SMD Mount Antenna



**Part Number:** G-2RE5

**25\*25 \*4 mm**  
**RoHS/RoHS II Compliant**

### **Packaging**

---

**TBD**

### **Caution:**

- (1) Do not apply excess mechanical stress to the component body or terminations. Do not attempt to re-form or bend the components as this will cause damage to the component.
- (2) Do not expose the component to open flame.
- (3) This specification applies to the functionality of the component as a single unit. Please ensure the component is thoroughly evaluated in the application circuit.