



GPS Active Antenna



Part Number: G-1RE1

45*36*15 mm
 RoHS/RoHS II Compliant

Features

- High Gain
- Compact Size and Low Profile
- Pin Type
- Customization Available
- IP67 rated
- RoHS Compliance

Applications

- Automotive navigation
- PND & PDA
- Surveying equipment
- Cell phone
- Laptop
- Healthcare and medical monitoring devices

Electrical Specifications

Item	Parameters	Min.	Typ.	Max.	Units	Notes
Antenna	Center Frequency	1575.42			MHz	
	Bandwidth		5		MHz	
	Gain (Zenith@90°)			5	dB	(Peak gain on standardized Ground Plane.)
	VSWR at CF			1.5		
	Impedance	50			Ω	
	Axial Ratio			3	dB	
	Polarization Model	RHCP				(Right Hand Circular Polarization)
LNA	Gain	26	28	30	dB	
	Noise Figure			1.5		
	Ex-band Attenuation	12dB@CF+50MHz/16dB@CF-50MHz				
	Supply Voltage	2.2		5	V	DC
	Current Consumption	5		15	mA	
	VSWR			2		

(*) Application environment, including size of ground plane will affect stated performance. Fine tuning might be required when installed on customer's PCB.

Mechanical & Environmental Specifications

Parameters	Specifications	Notes
Cable	RG174	
Connector	SMA/MCX/FAKRA or others	
Radome Material	ABS	
Operating Temperature	-40°C~+85°C	
Relative Humidity	Up to 95%	
Vibration	10 to 55Hz with 1.5mm amplitude 2hours	
Environmentally Friendly	ROHS Compliant	



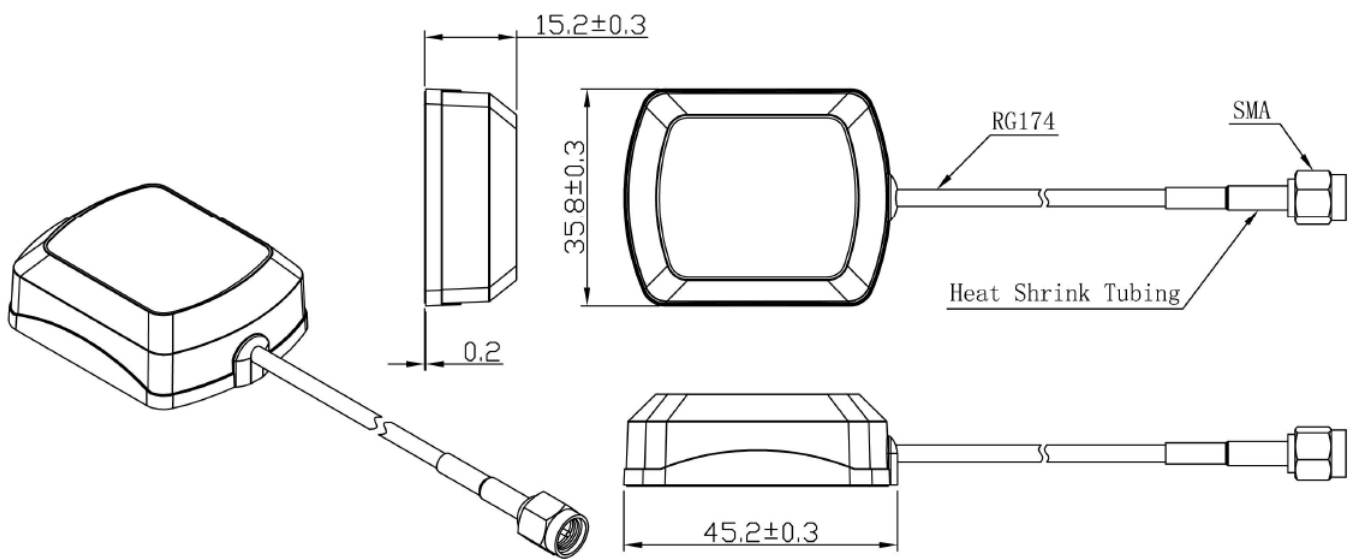
GPS Active Antenna



Part Number: G-1RE1

45*36*15 mm
RoHS/RoHS II Compliant

Product Dimensions & Pictures



UNIT: mm



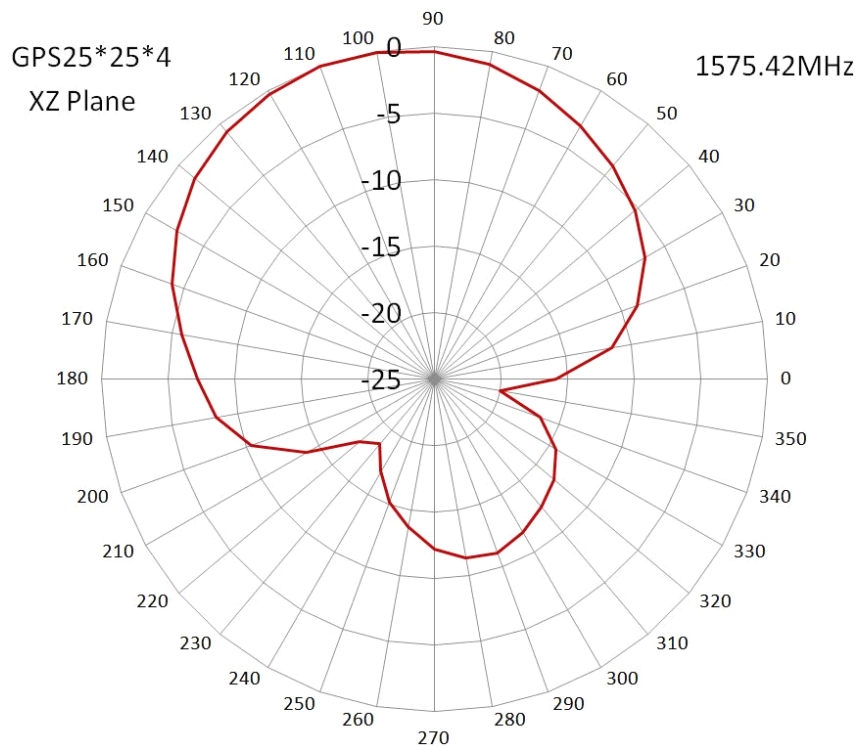
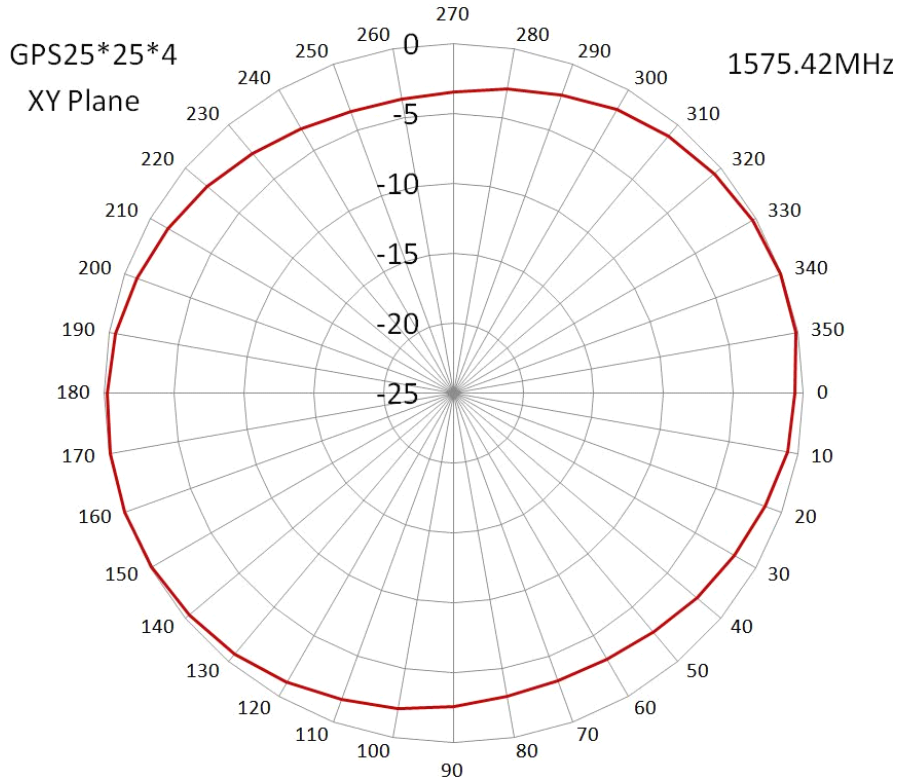
GPS Active Antenna



Part Number: G-1RE1

45*36*15 mm
RoHS/RoHS II Compliant

Radiation Pattern



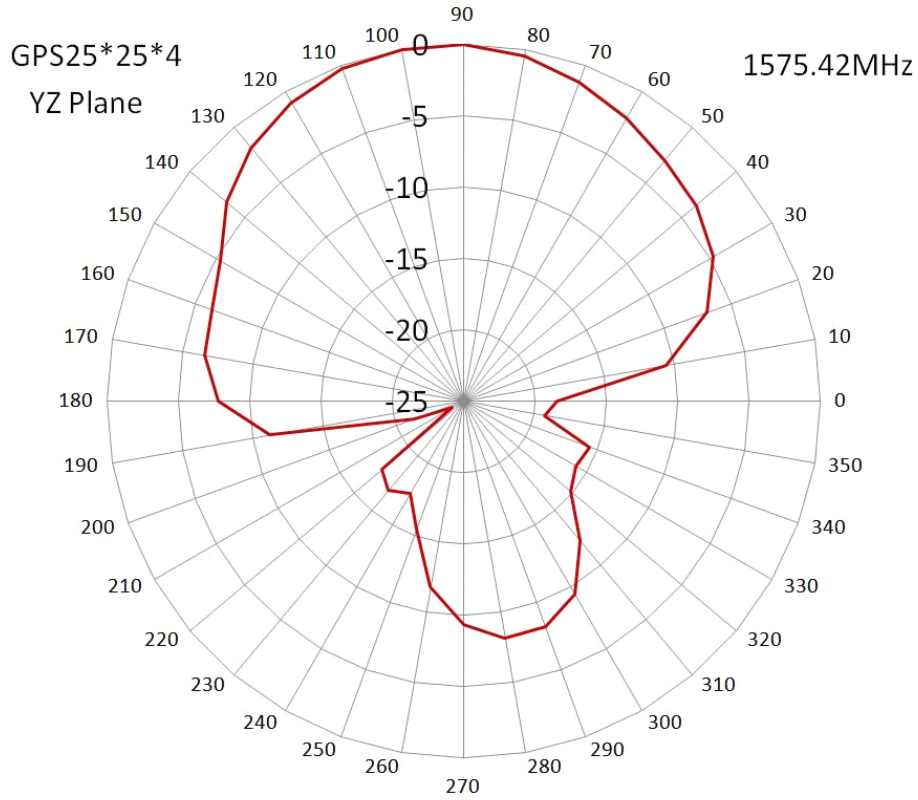


GPS Active Antenna



Part Number: G-1RE1

45*36*15 mm
RoHS/RoHS II Compliant





MiotWireless

Miot Wireless Solutions Ltd
<http://www.miotsolutions.com>
Info@miotsolutions.com

GPS Active Antenna



Part Number: G-1RE1

45*36*15 mm
RoHS/RoHS II Compliant

Packaging

TBD

Caution:

- (1) Do not apply excess mechanical stress to the component body or terminations. Do not attempt to re-form or bend the components as this will cause damage to the component.
- (2) Do not expose the component to open flame.
- (3) This specification applies to the functionality of the component as a single unit. Please ensure the component is thoroughly evaluated in the application circuit.